



**PT SANCO INDONESIA**

**Head Office:**

Komplek Meruya Garden Blok M No.11  
Meruya Utara, Kembangan  
Jakarta 11620  
Indonesia  
Tel +62 21 5890 5070 (Hunting)  
info@sanco-indonesia.com  
www.sanco-indonesia.com

**Branch Office:**

Manyar Megah Indah (RMI) Blok L No.3A  
Jl. Ngagel Jaya Selatan  
Surabaya 60284  
Indonesia  
Tel +62 31 9944 3070  
  
Jl. Dr. Cipto No.20  
Semarang 50126  
Indonesia  
Tel +62 24 8640 0948 or 51

**Showroom:**

Kawasan Industri Millenium Blok L3 No.1B  
Tigaraksa - Tangerang 15720  
Indonesia  
Tel +62 21 2915 9148

# SOLUTION FOR IMPROVEMENTS



**SANCO**  
SOLUTION FOR IMPROVEMENTS





# GROW BIGGER. BETTER. TASTIER.

We are here to help you improve your production system, so you can expand your business to the next level. Therefore, each of our machine is specifically designed to make your food manufacturing process so much more effective.

**So why do you settle for less when you have us as your solution to grow your business bigger?**

## STANDING OUR GROUND

PT Sanco Indonesia is a manufacturing company specializing in the manufacturing of food and packaging machineries. The company has started its experience in 1987. After three decades, we have grown into one of the leading machineries manufacturing companies, a position achieved through knowledge and know-how combined with continuous innovations.

Ideas and innovations are created, solutions and recommendations are given to produce the best result for customers.

## IN QUALITY WE TRUST

High quality products and services is the result of an excellence of conduct. Each production is precisely planned, designed, modified, and tested as we appreciate the importance of precision. Quality is one of the critical aspect that we prioritize for the satisfaction of customers.



**1987**

The 1<sup>st</sup> **Wafer Stick Machine** was designed, produced and launched to the market. The machine was 2-ribbon type.

**1999**

The 1<sup>st</sup> year to export our **Wafer Stick Machine**.

**2006**

The **3-Ribbon Wafer Stick Machine** was launched to the market.

**2008**

The **4-Ribbon Wafer Stick Machine** was launched to the market.



# CREATING BREAKTHROUGH



**2010**

All machines that we produced were



**2013**

Our machines were sold and installed in 5 continents around the world.

**2016**

Moved to the new bigger factory with new spirit to grow bigger.

**2018**

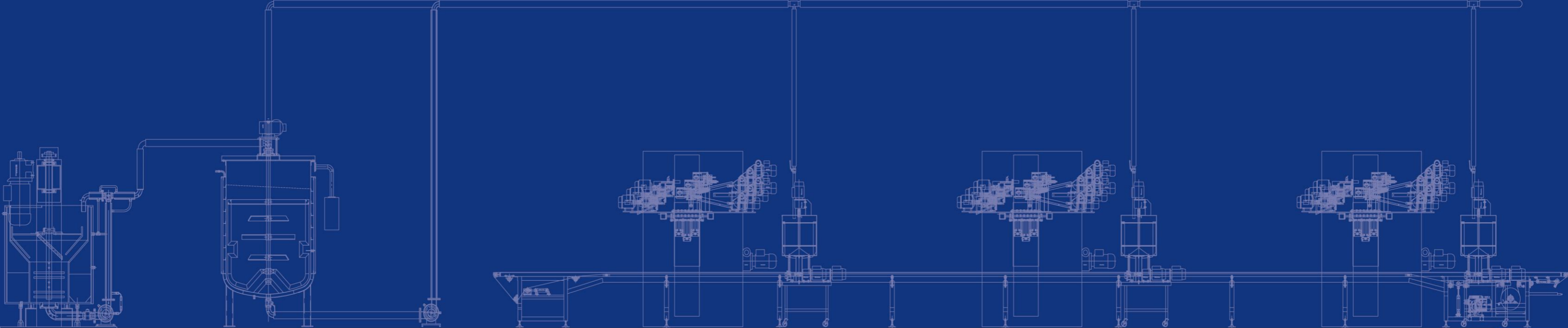
Our machines have been installed and running in 50 countries.

# MASTERING THE FOOD MACHINERIES

Over the years we have rapidly expanded its coverage to provide the solution for Food and Packaging company machinery requirement.

We have proven ourselves as one of the top machine manufacturers in the world with CE certification. In addition to the significant market share in Indonesia, we export our machineries to some countries, such as Spain, Italy, Japan, India, and many Middle East countries. The acceptance of our products in foreign countries proves our service excellence.





# MEET

## OUR MIGHTY MACHINERIES

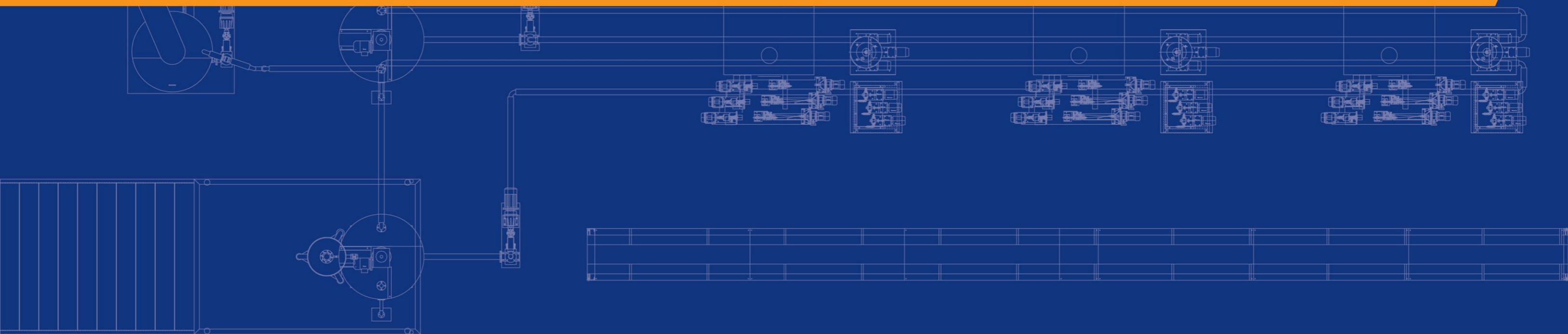
Our company offers several machineries such as:

- WAFER STICK MACHINE
- BALL MILL MACHINE
- TURBO MIXER MACHINE
- MINI CUTTER MACHINE
- ENROBER & COOLING TUNNEL MACHINE
- HORIZONTAL PACKAGING MACHINE
- VERTICAL CREAM STICK MACHINE



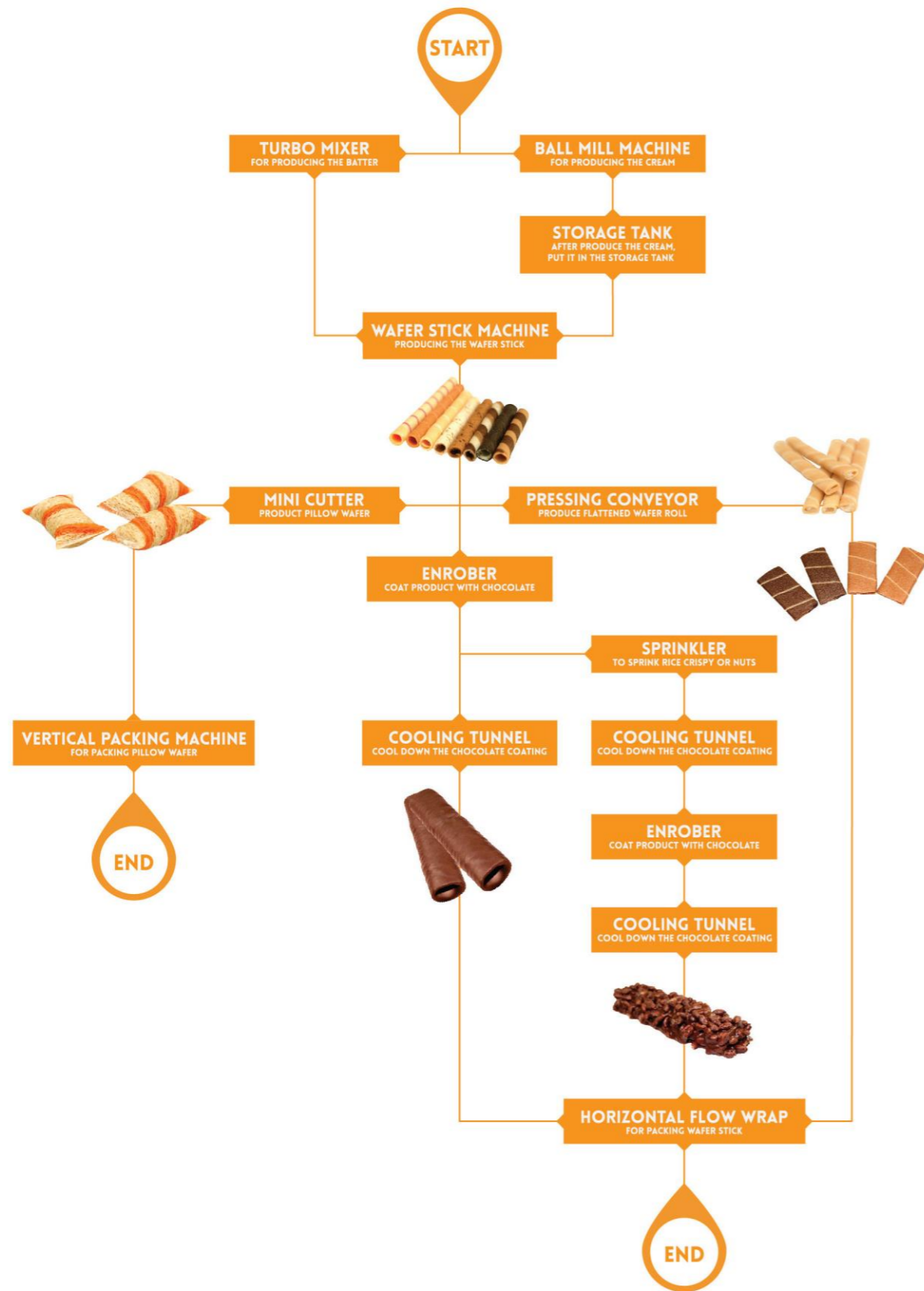
**CERTIFIED**

European Standards  
of Quality and Safety





## FLOW CHART OF WAFER STICK PRODUCTION



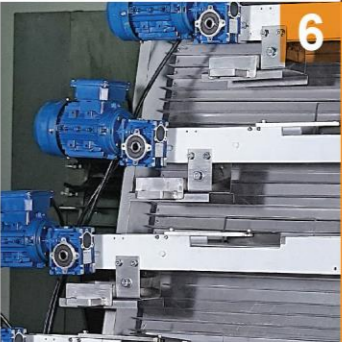
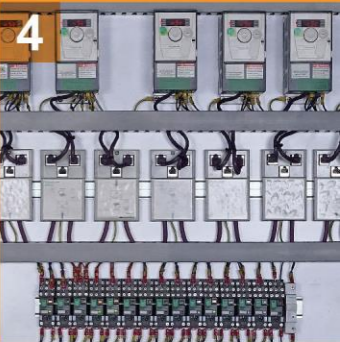
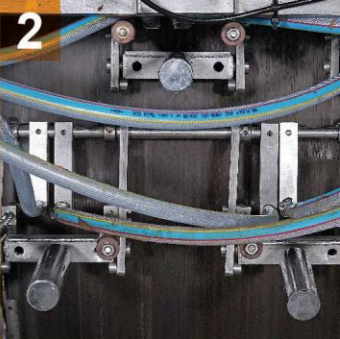
## FLOW CHART OF WAFER STICK PRODUCTION



FLOWCHART



# WAFER STICK MACHINE



GOING

INTO

THE

DETAILS

1 Front View 2 Spreader 3 Rolling Filling Cutting 4 Electricity Panel 5 Gas Panel 6 Cooling Elevator



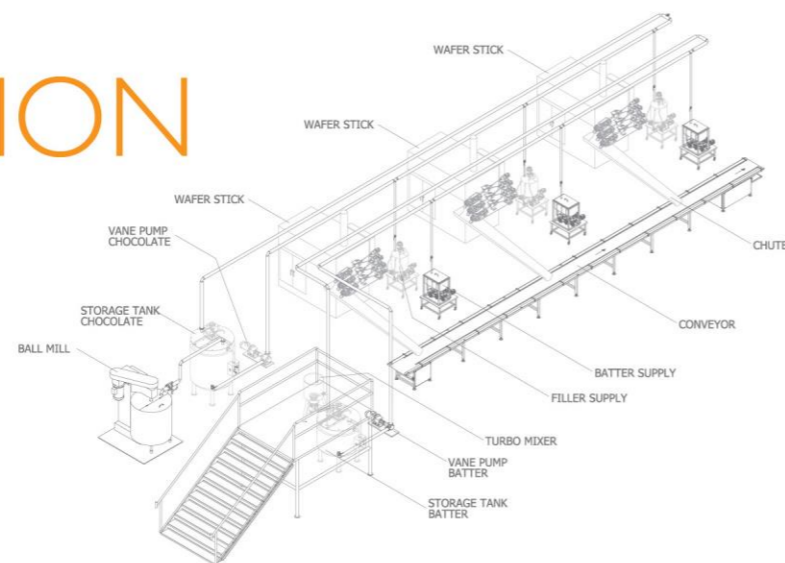
# WAFER STICK MACHINE SPECIFICATION

Machine Specification		2 Ribbon - KWS 2R	3 Ribbon - KWS 3R	4 Ribbon - KWS 4R
Number of Row		2	3	4
Baking Wheel Diameter (mm)		2,000	2,000	2,200
Product Diameter (mm)		8 - 16 OR 17 - 24 (choose either one)		
Product Length (mm)		40-260		
Capacity (pcs/min) *with product Size L: 100 mm D:10 mm		180 - 200	270 - 300	380 - 400
Number of Torch Burner (pcs)		42-54 LH + 42-54 LR	54-60 LH + 54-60 LR	60-72 LH + 60-72 LR
Number of Infrared Burner		6	12	16
Gas Consumption	LPG (Kg/Hour)	3 - 3.5	3.5 - 4.5	7 - 8.5
	LPG (m <sup>3</sup> /Hour)	0.6 - 0.7	0.7 - 0.9	1.4 - 1.7
	LNG (m <sup>3</sup> /Hour)	1.0 - 1.2	1.2 - 1.5	2.3 - 2.8
Electric Consumption		7.5	9.5	11.5
Power Supply		AC 415V, 3 Phase, 50 Hz/60 Hz		
Temperature Sensor		Standard: Thermocouple in Chamber Optional: Infrared Temperature Sensor on Baking Wheel		
Gas Mixture System		Automatically by Inverter Blower and Japan Ventury Mixer		
Flame Detector		Daido (Japan)		
Drive Motor		European made AC motor with inverter		
Cutting System		Servo Motor Using Inverter (Mitsubishi)		
Equipment Supplied with		1 Set 1 <sup>st</sup> Color Batter Supply System with Stainless Steel Gear Pump 1 Set 2 <sup>nd</sup> Color Batter Supply System with Gravity Flow 1 Set Filling Double Jacket Supply System with Stainless Steel Gear Pump 1 Unit Pressure Tank for Gluing System		
Gas Pressure Requirement		0.5 - 2 Bar (LPG OR LNG)		
Touch Screen & PLC		Included, Mitsubishi - Japan		

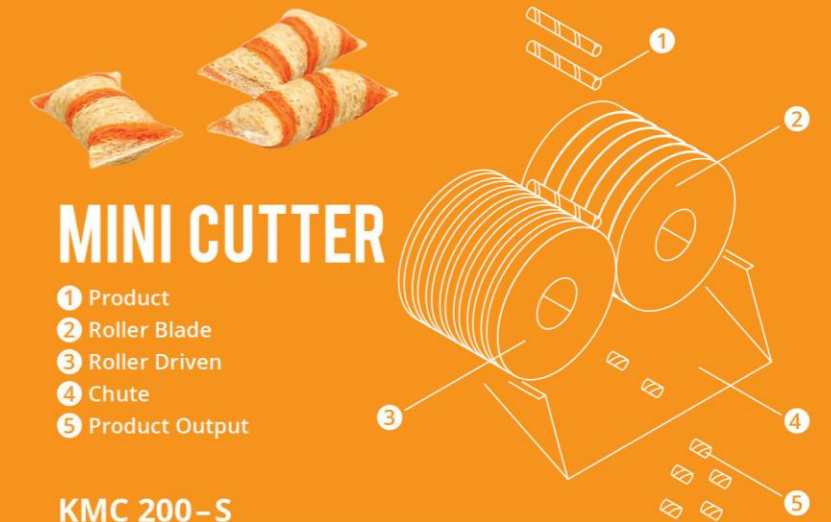
Material	
Body	Double Wall, heat insulated by Rockwool with SUS plate
Baking Wheel	Cast Iron
Batter Pump	Stainless Steel Gear Pump
Filling Cream Pump	Double Jacket Stainless Steel Gear Pump
Dimension L x W x H (mm)	3,000 x 1,900 x 2,300    3,000 x 2,100 x 2,300    3,000 x 2,500 x 3,000
Approximate Weight (Kg)	4,200    4,500    5,000

All specification can be changed refer to latest technology without prior notice

# WAFER STICK MACHINE AUTOMATION



# WAFER STICK MACHINE ACCESSORIES



## MINI CUTTER

- ① Product
- ② Roller Blade
- ③ Roller Driven
- ④ Chute
- ⑤ Product Output

### KMC 200-S

Cutting Length (mm)	32
Rpm Adjuster	Inverter
Power Consumption (KW)	0.75
Power Supply	AC 220/380 V, 3 Phase, 50 Hz
Material	Frame Mild Steel Stallbuis 40 x 40 Finishing Paint
Dimension L x W x H (mm)	770 x 550 x 700
Approximate Weight (Kg)	±250

All specification can be changed refer to latest technology without prior notice



## PRESSING CONVEYOR

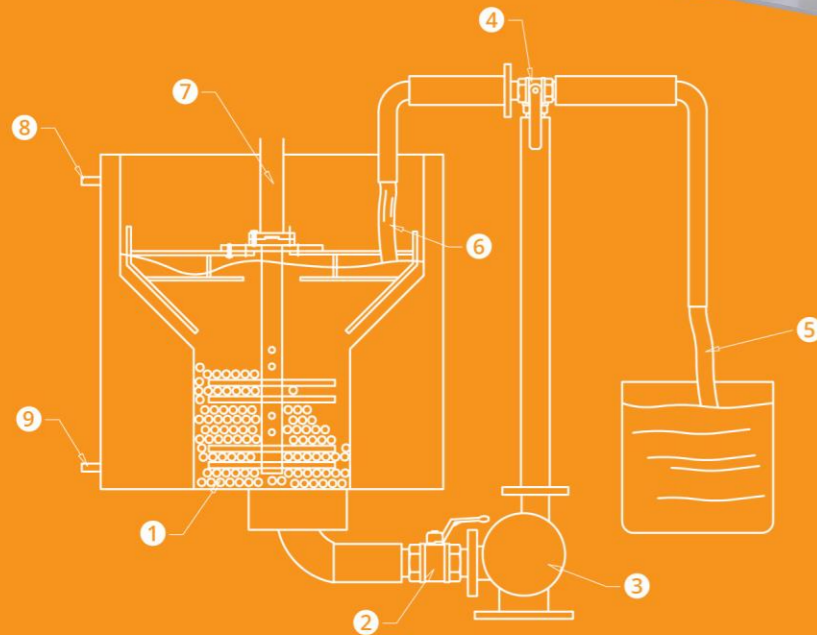


## COOLING ELEVATOR



# BALL MILL

- ① Steel Ball
- ② Two Way Valve
- ③ Vane Pump
- ④ Three Way Valve
- ⑤ Product Output (Discharge)
- ⑥ Circulation Flow (Process)
- ⑦ Agitator
- ⑧ Water Circulation Inlet
- ⑨ Water Circulation Outlet



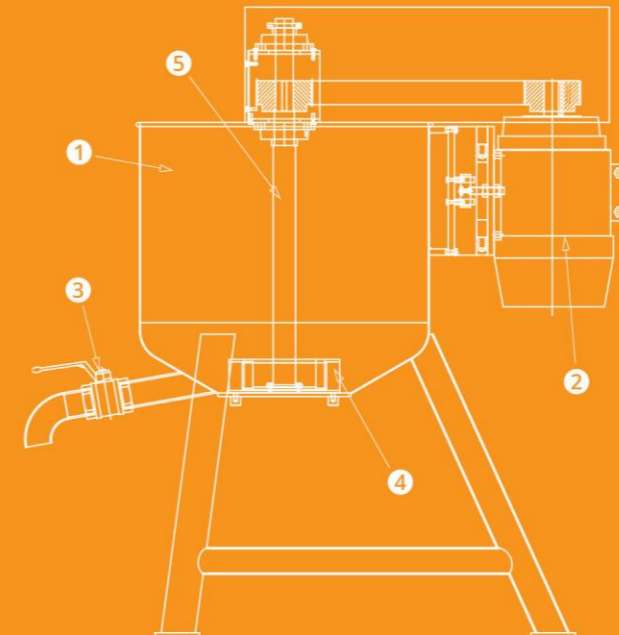
## KBM - 500

Volume of Product (Kg)	500
Steel Balls (Kg)	400
	Ø 0.5 inches, Hard Chrome
Power Consumption (KW)	24
Power Supply	AC 220/380 V, 3 Phase, 50 Hz
Completed with	Double jacket tank, circulation product for heating
Insulation	<ul style="list-style-type: none"> <li>• SS 304 &amp; Rockwool</li> <li>• Heater 3 x 2 KW, thermometer and thermocontroller</li> <li>• Circulation water pump and buffer tank</li> <li>• Circulation product pump</li> </ul>
Material	Mild steel, painted
Dimension L x W x H (mm)	1,950 x 2,050 x 2,300
Approximate Weight (Kg)	±2,000

*All specification can be changed refer to latest technology without prior notice*

# TURBO MIXER

- ① Tank
- ② Motor
- ③ Ball Valve 2"
- ④ Rotor and Stator
- ⑤ Shaft



## KTM - 90 SM

Tank Volume (L)	185
Volume of Product (Kg)	90
Power Consumption (KW)	4
Motor	900 - 950 Rpm
Power Supply	AC 220/380 V, 3 Phase, 50 Hz
Completed with	Timer Processing
Material	SUS 304
Dimension L x W x H (mm)	1,350 x 950 x 1,450 Ø 650
Approximate Weight (Kg)	150

*All specification can be changed refer to latest technology without prior notice*







# COOLING TUNNEL MACHINE

## KCT - 24/100

Main Drive	0.75 KW, 380V, 50 Hz Variable speed with inverter
Cover & Bottom Tunnel	Polyurethane Foam Insulated Fiberglass Thickness 50 - 30 mm
Air Circulation Ducting	Mild Steel (Powder Coated)
Conveyor Roller	Mild Steel (Galvanized)
Tracking Device	Cylinder Pneumatic System Pressure 4 - 8 Kg/cm <sup>3</sup>
Carrier Roll	Gravity Roll (Galvanized)
Belt Scraper	Teflon Plate 10 mm
Conveyor Speed	2 - 4 m/minute
Main Frame Conveyor	Mild Steel - Stallbuis 75 x 45 (Powder Coated)
Conveyor Belt Type	Food Grade P.U Belt, Non Adhesive, 0.8 - 1.5 Thickness, USA, Europe Mode
Conveyor Belt Width (mm)	1,000
Cooling System	Semihermetic Compressor, Evaporator equipped with defrost heater, Condensator with Axial Fan, USA/Europe mode 18 KW, 51 A, 380 VAC, 3 Phase, 50 Hz

Cooling Power (HP) 15  
Dimension L x W x H (mm) 24,000 x 1,300 x 1,350

*All specification can be changed refer to latest technology without prior notice*



# ENROBER MACHINE

## KEM 1050

Anti Tailing	0.18 KW, 220/380V, 50 Hz Variable speed with inverter
Vibrator	0.18 KW, 220/380V, 50 Hz Variable speed with inverter
Water Heater	Heater Cromaloc 1 x 6 KW, 240 VAC Temperature adjustable with thermostal EGO
Room Heater	Heater 4 x 500 KW, 240 VAC Temperature adjustable with thermostal EGO
Chocolate Pump	Screw Pump SUS 304 (double pitch) Power 2.2 KW, 380 VAC, 50 Hz
Conveyor Speed	2 - 4 m/minute
Blower	Turbo Blower 2.2 KW, 380 VAC, 50 Hz, 2,800 Rpm
Conveyor Drive	380 VAC, 50 Hz, 2,800 Rpm Gear Motor 0.55 KW, 380 VAC, 50 Hz
Electric Consumption	Variable speed with inverter 12 KW, 25 Ampere, 3 Phase, 380 VAC, 50 Hz 380 VAC, 50 Hz
Material	Frame : Mild steel, painted Cover : SUS 304 Hopper : SUS 304 - Jacketed Curtain Coater : SUS 304
Equipped with	Feeder Conveyor 0.37 KW, 380 VAC, 50 Hz Variable speed with inverter
Machine Dimension L x W x H (mm)	1,500 x 1,620 x 2,200
Conveyor Dimension L x W x H (mm)	1,500 x 1,200 x 1,000

*All specification can be changed refer to latest technology without prior notice*

## Pavo 120 FB

Product Size Limits	120 jaw centers	140 jaw centers
	L 95 - 300	L 125 - 350
	W 20 - 155	W 20 - 155
	H up to 50	H up to 70
Wrapping Material	Most heat - sealing film	
Film Reel Dimension (mm)	Width up to 480	
	Outer diameter up to 350	
	Core Diameter 76	

Capacity (ppm)	20 - 120 (depending on product and film characteristic)
Power Consumption	3.5 KW, 220V, 1 Phase
Dimension L x W x H (mm)	4,620 x 1,150 x 1,430
Approximate Weight (Kg)	1,350

*All specification can be changed refer to latest technology without prior notice*



# HORIZONTAL PACKAGING MACHINE



## Aquila 250

Product Size Limits	100-120 jaw centers	140 jaw centers
	L 70 - 300	L 125 - 350
	W 20 - 130	W 20 - 155
	H up to 50	H up to 70
Wrapping Material	Most heat - sealing film	
Film Reel Dimension (mm)	Width up to 420	
	Outer diameter up to 350	
	Core Diameter 76	

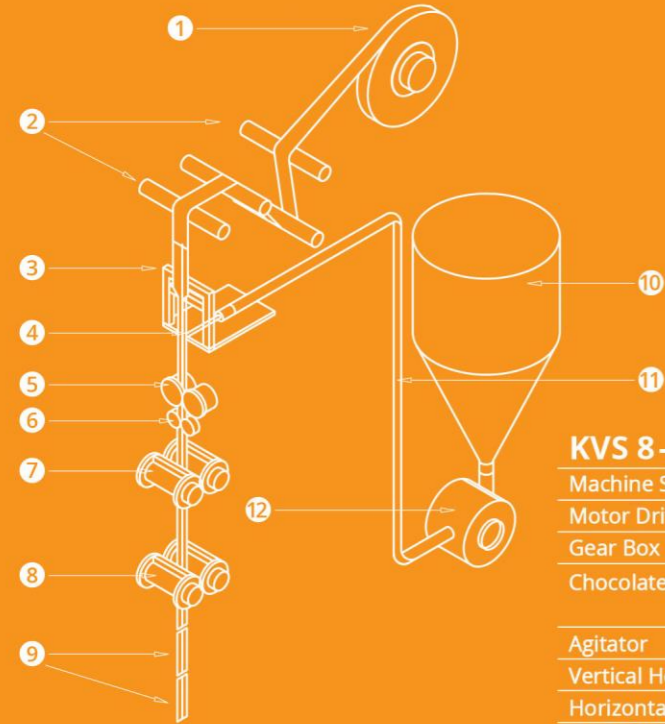
Capacity (ppm)	50 - 250 (depending on product and film characteristic)
Power Consumption	3.5 KW, 220V, 1 Phase
Dimension L x W x H (mm)	4,150 x 1,040 x 1,500
Approximate Weight (Kg)	1,200

*All specification can be changed refer to latest technology without prior notice*



# VERTICAL CREAM STICK MACHINE

- 1 Foil
- 2 Rollers
- 3 Guide
- 4 Nozzle
- 5 Vertical Sealing
- 6 Notching
- 7 Horizontal Sealing
- 8 Cutting
- 9 Products
- 10 Product Hopper
- 11 Transfer Pipe
- 12 Gear Pump



## KVS 8-20

Machine Specification	
Motor Drive	1/2 HP, AC Motor. Variable speed with inverter.
Gear Box	1/2 HP
Chocolate Pump	Gear Pump Stainless Steel. 0.37 KW. Variable speed with inverter.
Agitator	Stainless Steel 304. 0.22 KW. Variable speed with inverter.
Vertical Heater	6 pcs x 125 W
Horizontal Heater	1 pc x 560 W
Temperature Sealing	30° - 200° C (Adjustable)
Product Size (mm)	ø 8 - ø 16 x L 80-200
Packing Capacity	30-60 pcs/minute (ø 8 x L 123 mm)
Packaging Film Size (mm)	W 50 - 75
Electric Consumption	2.5 KW, 10 Ampere, 1 Phase, 220 VAC, 50 Hz
Machine Dimension (mm)	L 1,300 x W 800 x H 1,800
Material	
Frame	Mild Steel (Painted)
Cover	Stainless Steel 304
Notching	HSS
Vertical Sealing	S 45 C
Horizontal Sealing	Stainless Steel 304
Cutting	HSS
Product Hopper	Stainless Steel 304. Volume ± 30 Kg.

All specification can be changed refer to latest technology without prior notice

## GOING AROUND THE GLOBE



## INSTALLED AND RUNNING IN 50 COUNTRIES

ASIA	EUROPE	AFRICA
INDONESIA	UKRAINE	PERU
SINGAPORE	MOLDOVA	ECUADOR
MALAYSIA	GERMANY	BRAZIL
THAILAND	BELGIUM	EGYPT
PHILIPPINES	SPAIN	SUDAN
VIETNAM	ITALY	ALGERIA
MYANMAR	GREECE	MOROCCO
CHINA	HUNGARY	NIGERIA
JAPAN	POLAND	KENYA
INDIA	LITHUANIA	MADAGASCAR
SRI LANKA	ARMENIA	AMERICA
PAKISTAN	GEORGIA	AUSTRALIA-OCEANIA
BANGLADESH	ISRAEL	MEXICO
		NICARAGUA
		NEW ZEALAND

## EXCEEDING CUSTOMERS' EXPECTATION

The customer relationship management system helps our people to focus and take full responsibility to provide one stop services for our customers. We realize that the after sales service is as important as the sales process itself to our customers, for which we provide our customers with our best technicians. We are not only working for our customers but also working together with them.

